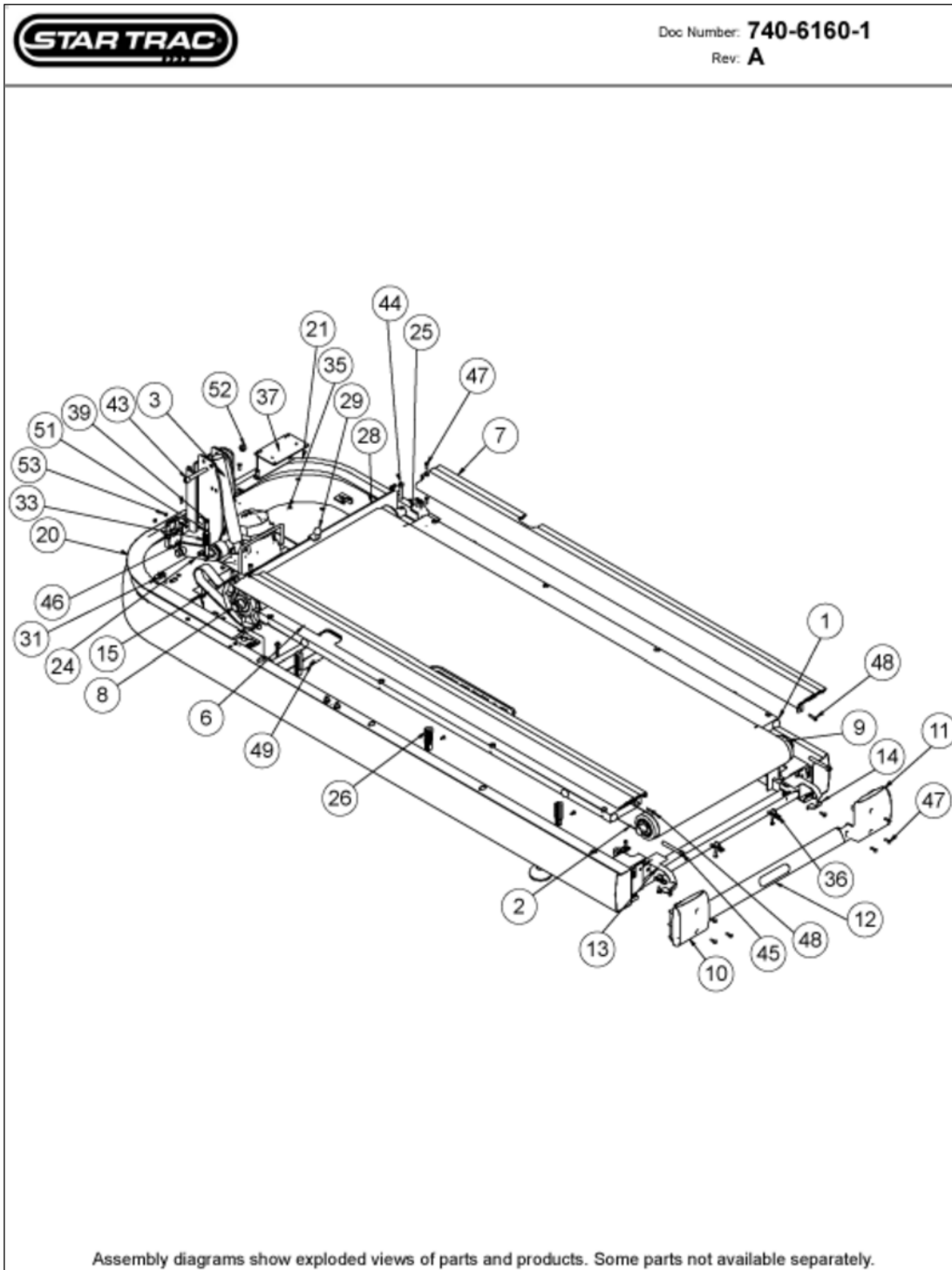


CARDIO • Treadmill • S Series Treadmill • S-TRx

# Base Frame Assy



Slide: 1-1-12-32 • PD ID: 1032 • PROD Link ID: • D ID: 525

October 21, 2009

# Base Frame Assy

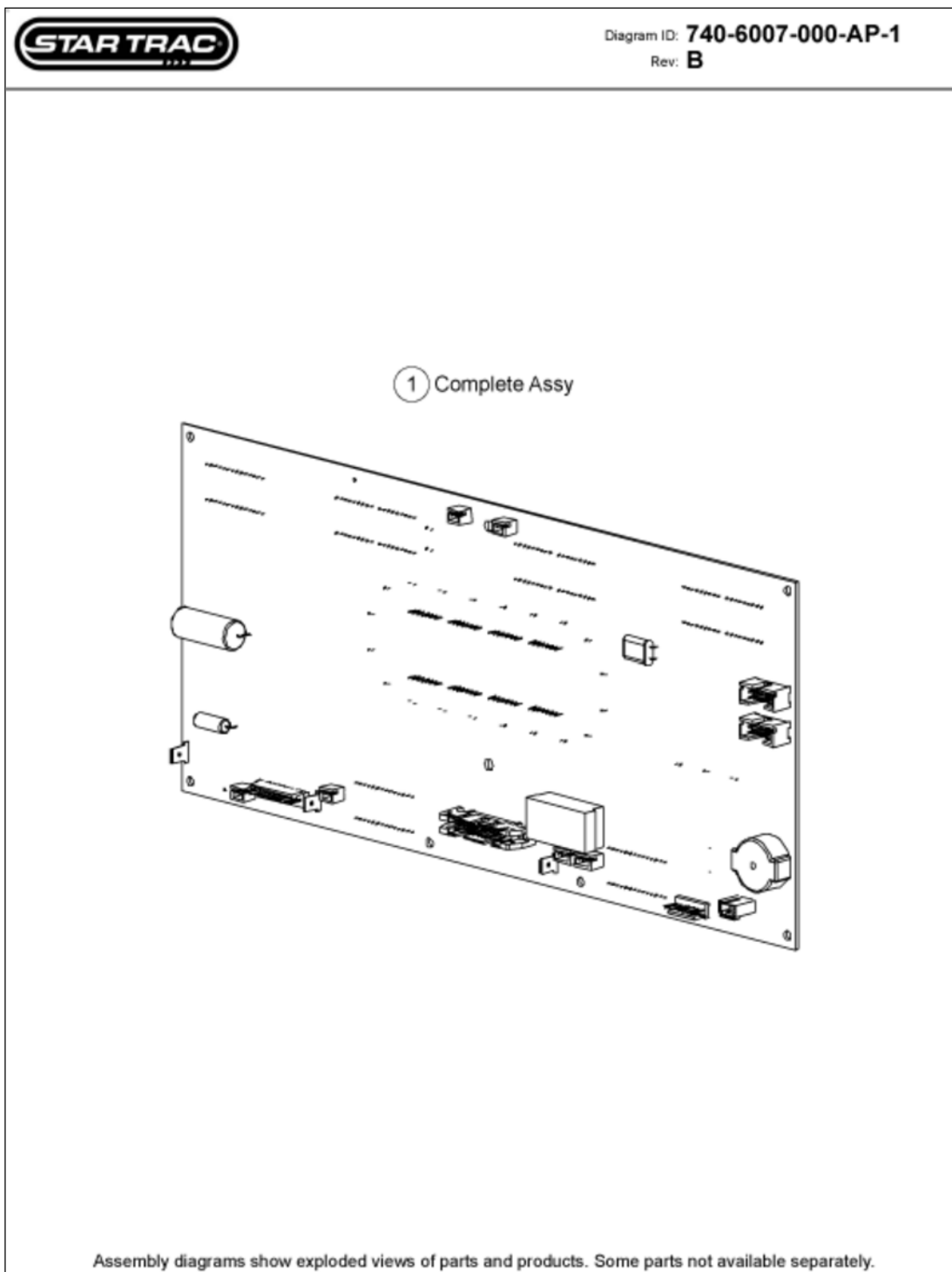
| Callout | Part Number:             | Description                    |
|---------|--------------------------|--------------------------------|
| 1       | <a href="#">800-3874</a> | DECK, DBL-SIDED, PRO TREAD     |
| 2       | <a href="#">740-6174</a> | BELT, RUN, 20"W                |
| 3       | <a href="#">740-6005</a> | ASSY, ELEV MOTOR, 110VAC, SPOR |
| 6       | <a href="#">740-6053</a> | COVER, SIDERAIL, LEFT, S-TR    |
| 7       | <a href="#">740-6054</a> | COVER, SIDERAIL, RIGHT, S-TR   |
| 8       | <a href="#">740-6055</a> | ROLLER, HEAD, S-TR             |
| 9       | <a href="#">740-6056</a> | ROLLER, TAIL, S-TR             |
| 10      | <a href="#">740-6057</a> | ENDCAP, LEFT, S-TR             |
| 11      | <a href="#">740-6058</a> | ENDCAP, RIGHT, S-TR            |
| 12      | <a href="#">740-6059</a> | COVER, BACK                    |
| 13      | <a href="#">740-6060</a> | GUARD, FINGER ROLLER, LEFT,    |
| 14      | <a href="#">740-6061</a> | GUARD, FINGER ROLLER, RIGHT,   |
| 15      | <a href="#">740-6062</a> | BELT, POLY V, 260J10           |
| 20      | <a href="#">740-6067</a> | COVER, FRONT RAIL, LEFT        |
| 21      | <a href="#">740-6068</a> | COVER, FRONT RAIL, RIGHT       |
| 22      | <a href="#">740-6069</a> | EXTRUSION, RUBBER, CUSHIONING  |
| 24      | <a href="#">740-6071</a> | ASSY, IDLER, MOTOR TENSIONER   |
| 25      | <a href="#">740-6072</a> | BRACKET, DECK STOP, FRONT      |
| 26      | <a href="#">740-6073</a> | BRACKET, DECK STOP SIDE        |
| 28      | <a href="#">740-6075</a> | ASSY, DUST GUARD               |
| 29      | <a href="#">740-6076</a> | BUMPER, SHROUD, SPACER         |
| 31      | <a href="#">740-6083</a> | IEC, CONNECTOR, 110V, 20A      |
| 33      | <a href="#">740-6087</a> | SPRING, IDLER TENSIONER        |
| 35      | <a href="#">740-6089</a> | INSERT, M5                     |
| 36      | <a href="#">740-6090</a> | THINNEMAN, M5                  |
| 39      | <a href="#">740-6504</a> | SCREW, GB5780M8*115            |
| 43      | <a href="#">740-6508</a> | SCREW, GB70M10*70              |
| 44      | <a href="#">740-6509</a> | SCREW, GB70M8*45               |
| 45      | <a href="#">740-6510</a> | SCREW, GB70M8*70*70            |
| 46      | <a href="#">740-6511</a> | SCREW, GB73M8*10               |
| 47      | <a href="#">740-6512</a> | SCREW, GB818M*15               |
| 48      | <a href="#">740-6513</a> | SCREW, GB818M5*25*25           |
| 49      | <a href="#">740-6514</a> | SCREW, GB845ST4.2*13           |
| 51      | <a href="#">740-6516</a> | WASHER, GB958                  |
| 52      | <a href="#">740-6517</a> | NUT, NYLON LOCK, NM10          |
| 53      | <a href="#">740-6518</a> | NUT, M3                        |

Parts are subject to availability. Part pricing may change with or without notice.  
Check the Star Trac Support Website <http://support.startrac.com> for current part pricing.

October 21, 2009

## CARDIO • Treadmill • S Series Treadmill • S-TRx

# Display Electronic



# Display Electronic

---

| Callout Part Number:       | Description                    |
|----------------------------|--------------------------------|
| 1 <a href="#">740-6007</a> | ASSY, DISPLAY, MAIN/LOW, SPORT |

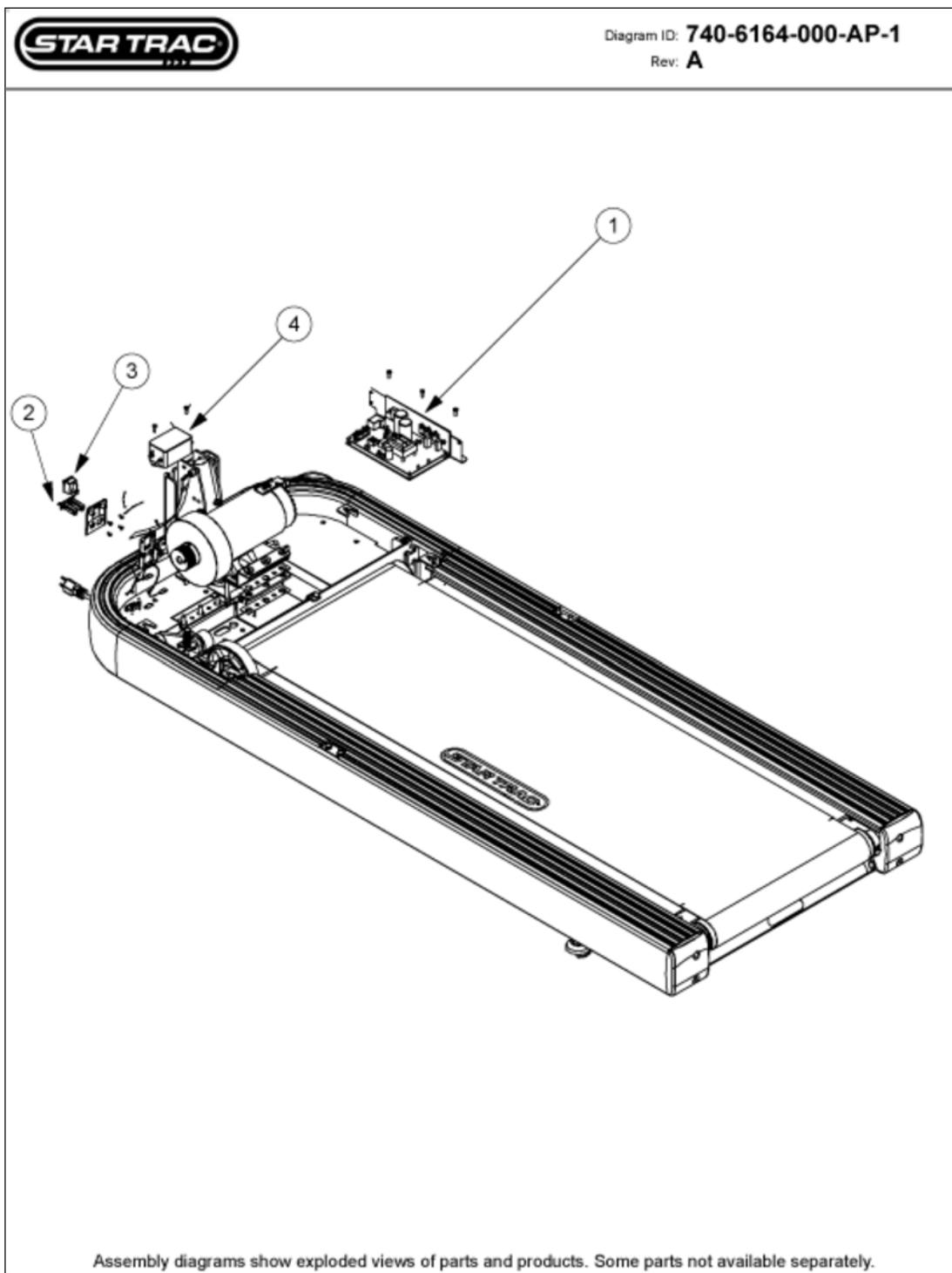
---

Parts are subject to availability. Part pricing may change with or without notice.  
Check the Star Trac Support Website <http://support.startrac.com> for current part pricing.

October 21, 2009

CARDIO • Treadmill • S Series Treadmill • S-TRx

# Electrical Assy Lower



## Electrical Assy Lower

---

| Callout | Part Number:             | Description                      |
|---------|--------------------------|----------------------------------|
| 1       | <a href="#">740-6156</a> | <b>*ALT* USE PART # 740-6002</b> |
| 2       | <a href="#">740-6117</a> | BREAKER, 18AMP                   |
| 3       | <a href="#">740-6116</a> | SWITCH, ON/OFF, 110V, 18A        |
| 4       | <a href="#">440-0257</a> | EMI FLTR, 110/220V               |

---

Parts are subject to availability. Part pricing may change with or without notice.  
Check the Star Trac Support Website <http://support.startrac.com> for current part pricing.

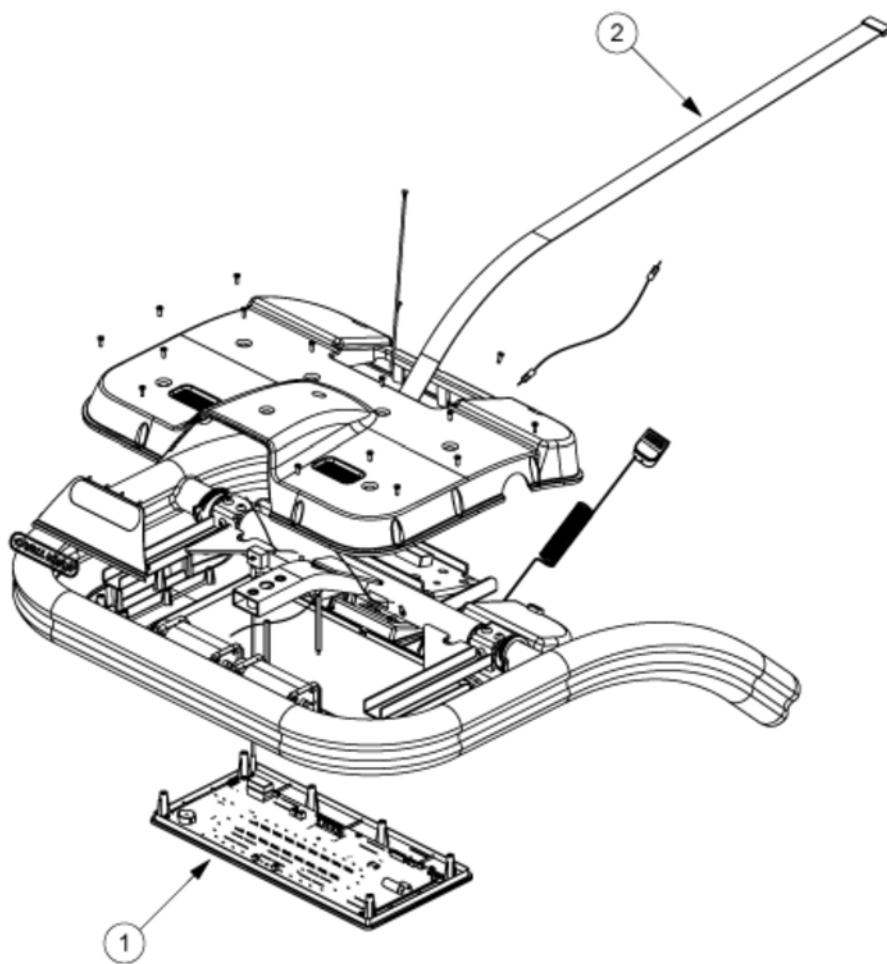
October 21, 2009

CARDIO • Treadmill • S Series Treadmill • S-TRx

# Electrical Assy Upper



Diagram ID: 740-6177-000-AP-1  
Rev: B



Assembly diagrams show exploded views of parts and products. Some parts not available separately.

# Electrical Assy

## Upper

---

| Callout Part Number:       | Description                  |
|----------------------------|------------------------------|
| 1 <a href="#">740-6178</a> | ASSY, KEYPAD & BEZEL, S-TR/X |
| 2 <a href="#">740-6021</a> | ASSY, CABLE, MAIN INTERFACE, |

---

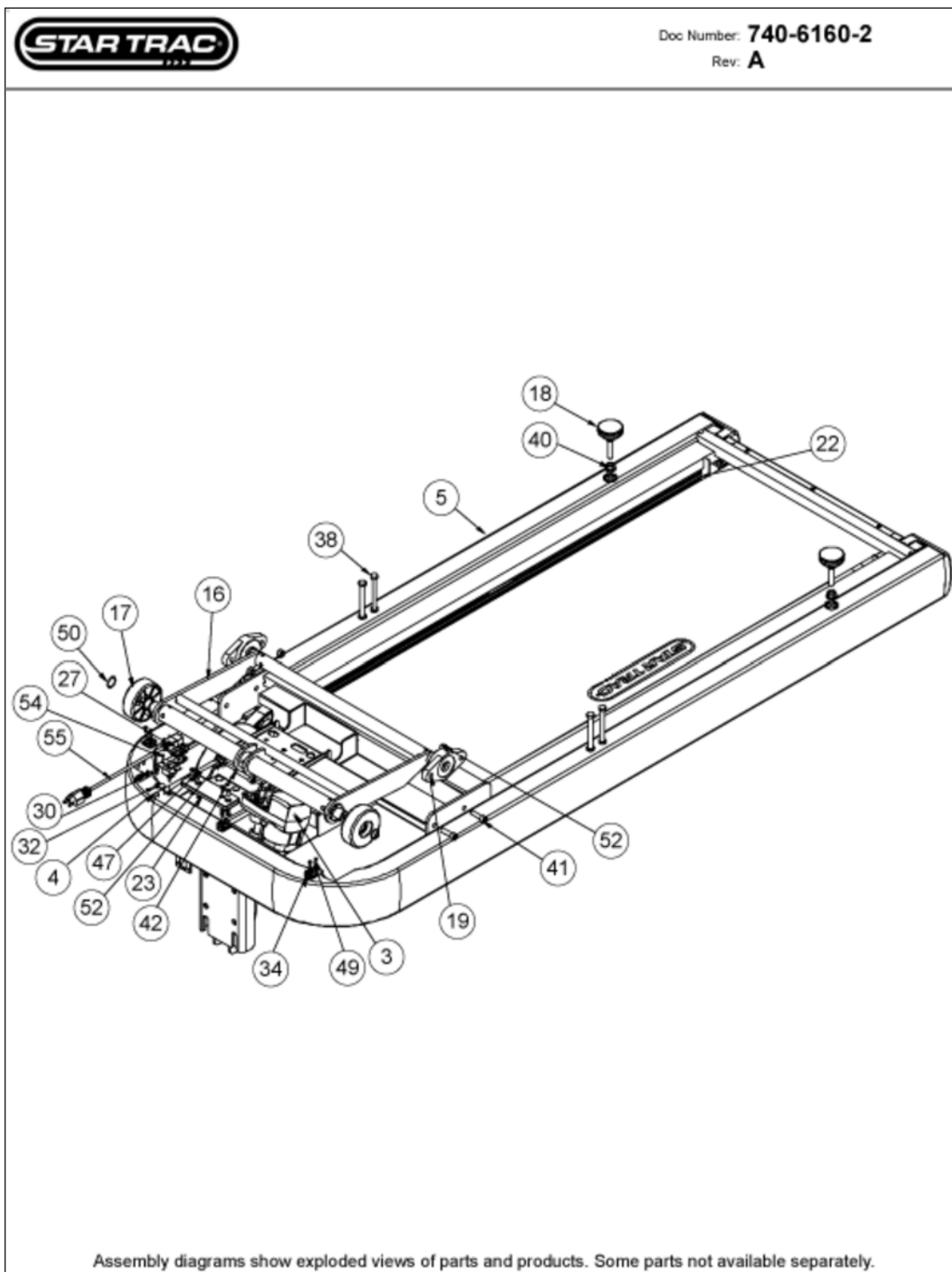
Parts are subject to availability. Part pricing may change with or without notice.  
Check the Star Trac Support Website <http://support.startrac.com> for current part pricing.

October 21, 2009



# CARDIO • Treadmill • S Series Treadmill • S-TRx

## Elevation Assy



Slide: 1-1-12-32 • PD ID: 1032 • PROD Link ID: • D ID: 526

October 21, 2009

## Elevation Assy

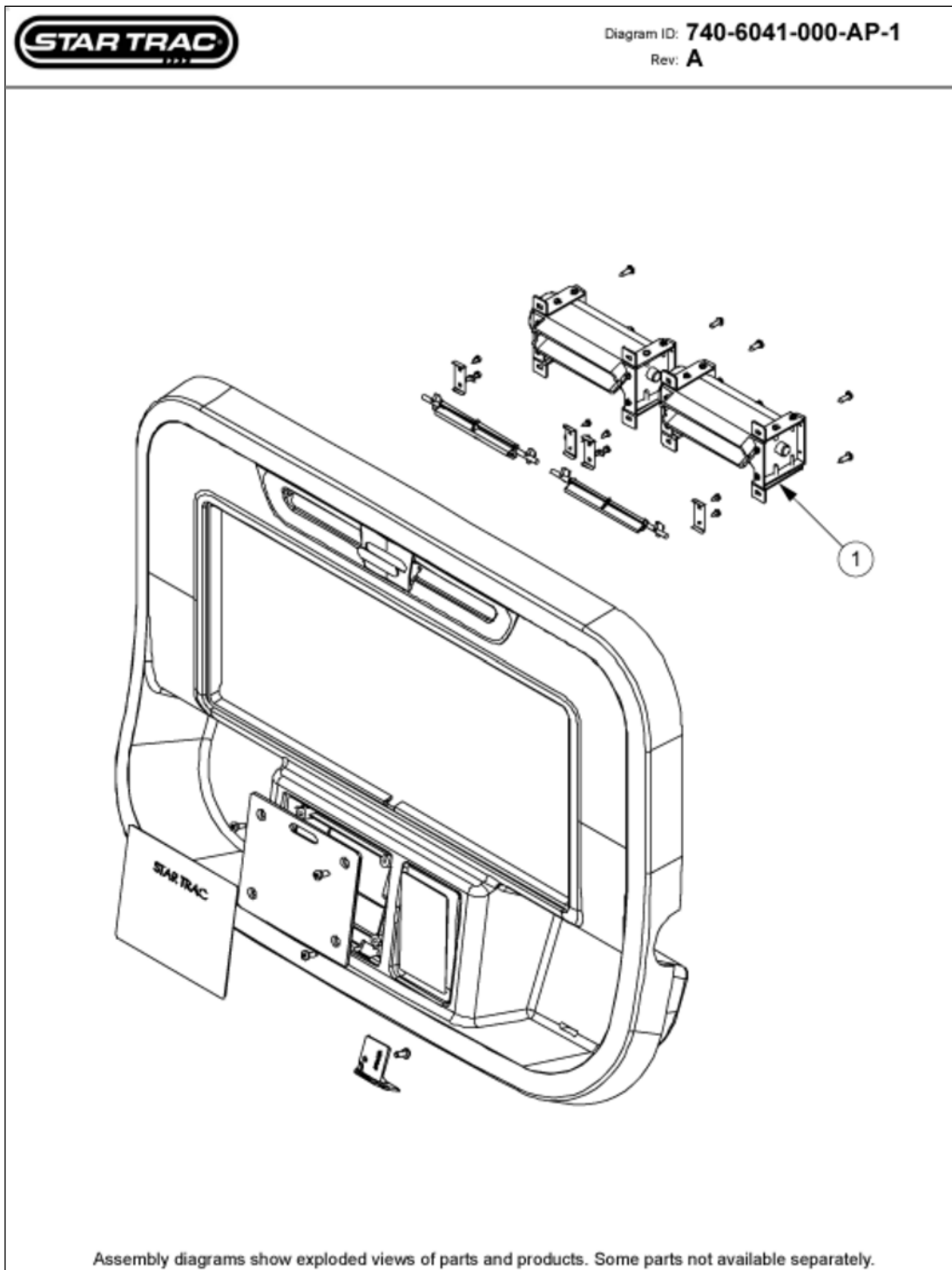
| <b>Callout</b> | <b>Part Number:</b>      | <b>Description</b>             |
|----------------|--------------------------|--------------------------------|
| 3              | <a href="#">740-6005</a> | ASSY, ELEV MOTOR, 110VAC, SPOR |
| 4              | <a href="#">740-6027</a> | ASSY, CABLE, COAX, LOWER, SPOR |
| 5              | <a href="#">740-6052</a> | ASSY, FRAME, S-TR, ST SILVER   |
| 16             | <a href="#">740-6063</a> | WELDMENT, ELEVATION            |
| 17             | <a href="#">740-6064</a> | WHEEL, 100MM OD                |
| 18             | <a href="#">740-6065</a> | FEET, LEVELING                 |
| 19             | <a href="#">740-6066</a> | PILLOWBLOCK, 25MM              |
| 20             | <a href="#">740-6067</a> | COVER, FRONT RAIL, LEFT        |
| 22             | <a href="#">740-6069</a> | EXTRUSION, RUBBER, CUSHIONING  |
| 23             | <a href="#">740-6070</a> | BUMPER, ELEV STOPPER           |
| 27             | <a href="#">740-6074</a> | GROMMET, CABLES PROTECTION     |
| 30             | <a href="#">740-6077</a> | BASE, POWERCORD, ROUTER A      |
| 32             | <a href="#">740-6086</a> | BRKT, POWERCORD, HOLDER        |
| 34             | <a href="#">740-6088</a> | BASE, POWER CORD, ROUTER B     |
| 38             | <a href="#">740-6503</a> | SCREW, GB5780M10*140           |
| 40             | <a href="#">740-6505</a> | NUT, GB6177M12                 |
| 41             | <a href="#">740-6506</a> | SCREW, GB70M10*35              |
| 42             | <a href="#">740-6507</a> | SCREW, GB70M10*50              |
| 47             | <a href="#">740-6512</a> | SCREW, GB818M*15               |
| 49             | <a href="#">740-6514</a> | SCREW, GB845ST4.2*13           |
| 50             | <a href="#">740-6515</a> | RETAINER, RING GB894.125       |
| 52             | <a href="#">740-6517</a> | NUT, NYLON LOCK, NM10          |
| 54             | <a href="#">740-6519</a> | SCREW, GB818M3*12              |
| 55             | <a href="#">220-0278</a> | LINE CORD, 110V, IEC320C20-NEM |

Parts are subject to availability. Part pricing may change with or without notice.  
Check the Star Trac Support Website <http://support.startrac.com> for current part pricing.

October 21, 2009

# CARDIO • Treadmill • S Series Treadmill • S-TRx

## Fan Blower Assy



Slide: 1-1-12-32 • PD ID: 1032 • PROD Link ID: • D ID: 482

October 21, 2009

## Fan Blower Assy

---

| Callout Part Number: | Description        |
|----------------------|--------------------|
| 1 <b>740-6040</b>    | ASSY, BLOWER, S-TR |

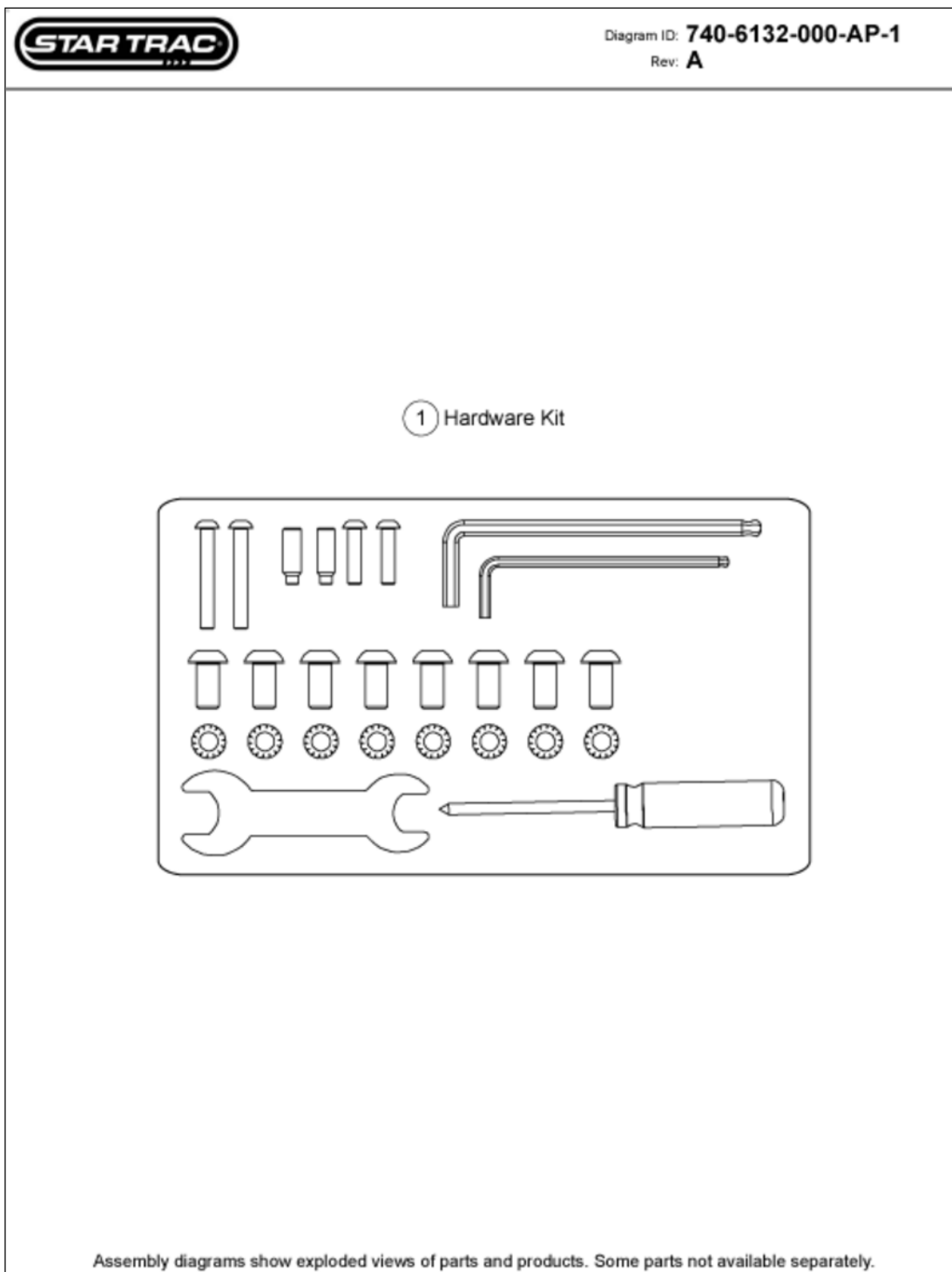
---

Parts are subject to availability. Part pricing may change with or without notice.  
Check the Star Trac Support Website <http://support.startrac.com> for current part pricing.

October 21, 2009

## CARDIO • Treadmill • S Series Treadmill • S-TRx

# Hardware Kit



# Hardware Kit

---

| Callout Part Number:       | Description                    |
|----------------------------|--------------------------------|
| 1 <a href="#">740-6132</a> | KIT, INSTALLATION HARDWARE, S- |

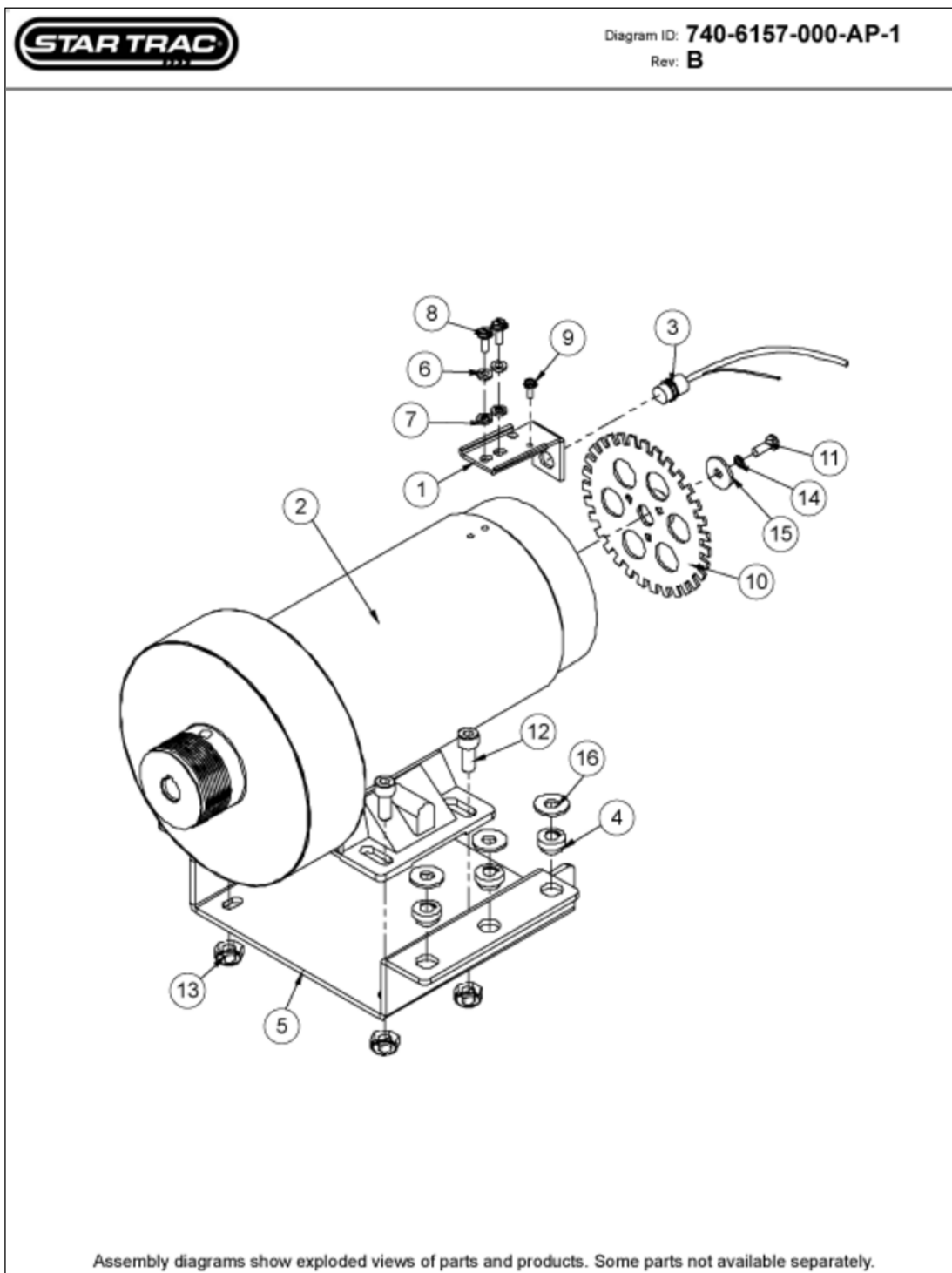
---

Parts are subject to availability. Part pricing may change with or without notice.  
Check the Star Trac Support Website <http://support.startrac.com> for current part pricing.

October 21, 2009

# CARDIO • Treadmill • S Series Treadmill • S-TRx

## Motor Assy 90VDC



## Motor Assy 90VDC

| Callout | Part Number:             | Description                    |
|---------|--------------------------|--------------------------------|
| 1       | <a href="#">020-6563</a> | BRACKET, RPM SENSOR, SUPPORT   |
| 2       | <a href="#">740-6008</a> | MOTOR, 90 VDC, SPORT TR        |
| 3       | <a href="#">740-6020</a> | ASSY, SPEED SENSOR, SPORT TR   |
| 4       | <a href="#">740-6082</a> | GASKET, SCREW, ISOLATOR        |
| 5       | <a href="#">740-6105</a> | BRKT, MOTOR BASE               |
| 6       | <a href="#">740-6118</a> | WASHER, SHOULDER, M5           |
| 7       | <a href="#">740-6119</a> | WASHER, RETAINER, #6, NYLON    |
| 8       | <a href="#">740-6120</a> | SCREW, 6-32X3/8", HHMS, W/WASH |
| 9       | <a href="#">740-6121</a> | SCREW, 6-32X3/8", HHMS, W/WASH |
| 10      | <a href="#">740-6216</a> | SPEED SENSOR, WHEEL            |
| 11      | <a href="#">740-6512</a> | SCREW, GB818M*15               |
| 12      | <a href="#">740-6522</a> | SCREW, GB70M8*20               |
| 13      | <a href="#">740-6523</a> | SCREW, NM8                     |
| 14      | <a href="#">740-6526</a> | SCREW, GB935                   |
| 15      | <a href="#">740-6527</a> | WASHER, DQ6                    |
| 16      | <a href="#">740-6530</a> | WASHER, DQ8                    |

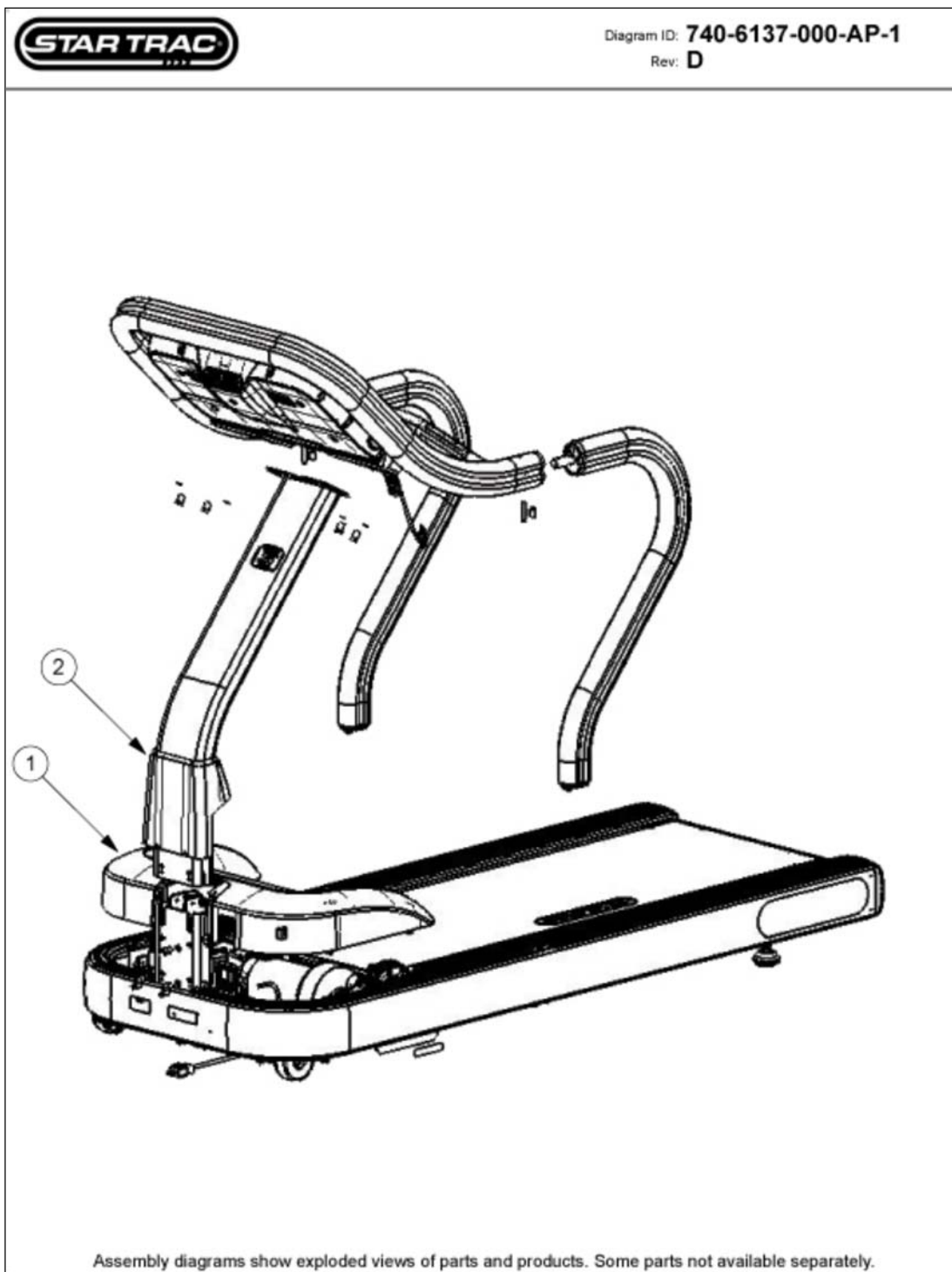
Parts are subject to availability. Part pricing may change with or without notice.  
Check the Star Trac Support Website <http://support.startrac.com> for current part pricing.

October 21, 2009



## CARDIO • Treadmill • S Series Treadmill • S-TRx

### Shrouds



Slide: 1-1-12-32 • PD ID: 1032 • PROD Link ID: • D ID: 499

October 21, 2009

### Shrouds

---

| <b>Callout Part Number:</b> | <b>Description</b>        |
|-----------------------------|---------------------------|
| 1 <a href="#">740-6111</a>  | ASSY, MOTOR SHROUD, S-TR  |
| 2 <a href="#">740-6112</a>  | SHROUD, FRONT, NECK, S-TR |

---

Parts are subject to availability. Part pricing may change with or without notice.  
Check the Star Trac Support Website <http://support.startrac.com> for current part pricing.

October 21, 2009